

4-PRONG TO 4-WIRE 30A DRYER APPLIANCE CORD (NEMA 14-30P TO 4-WIRE)

INSTALLATION INSTRUCTIONS

OVERVIEW

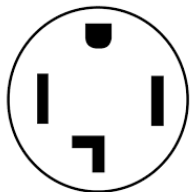
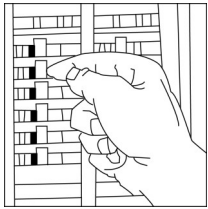
The Cable Matters 4-Prong to 4-Wire 30A Dryer Appliance Cord is compatible with recent models of electric dryers with a 4-wire connection that require a 30 amp 4-prong receptacle for proper grounding. Most homes build after 2000 have 4-prong dryer outlets.

! CAUTION

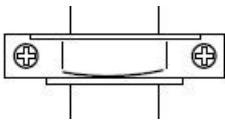


- Electrical cords can be hazardous! Misuse can result in fire or death by electrical shock.
- Installation by a qualified electrician is recommended.
- Rated for indoor use only in a dry location.
- DO NOT use with a 3-slot dryer outlet or 3-wire dryer!
- Consult the documentation of your dryer for any special wiring.

WIRING INSTRUCTIONS - READ BEFORE INSTALLING



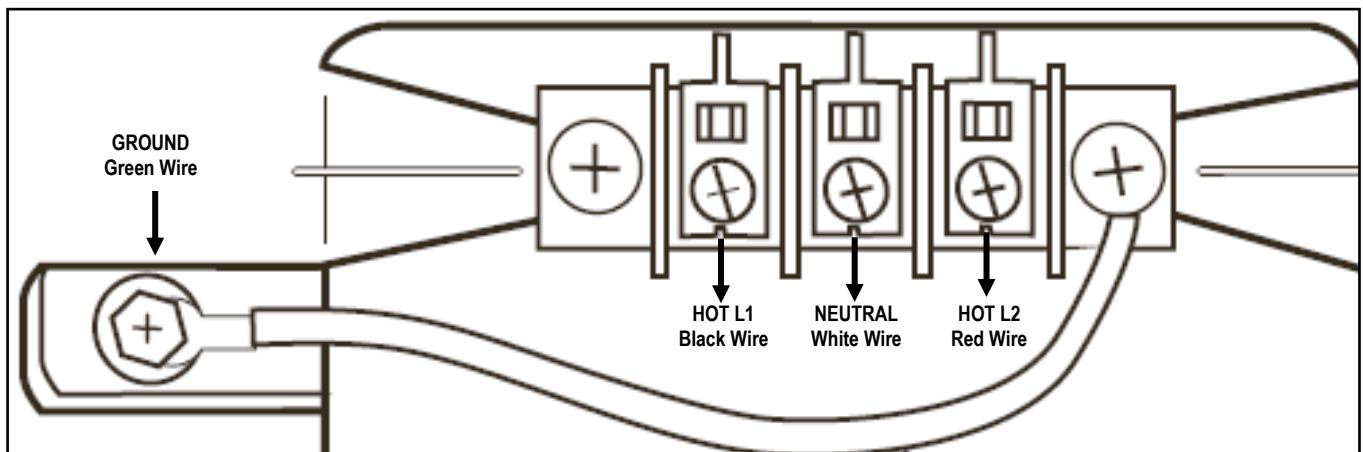
NEMA 14-30R



Strain-Relief Bracket

- 1) Turn the power OFF at the electrical panel and set the dryer controls to the OFF position before installing.
- 2) Check for a 4-slot electrical outlet marked with *30A NEMA 14-30P*. Do not use this cord with a 3-slot receptacle.
- 3) Unscrew the cover plate from the back of the dryer (a magnetic screwdriver is recommended).
- 4) Loosen the strain-relief bracket and slide it down the cord until needed. Use the dryer strain-relief fitting, if equipped, instead of the cord bracket.
- 5) Feed the cord through the opening in the back of the dryer and fan out the ring terminals.
- 6) Loosen the screws on the dryer wire terminals. Attach the GROUND/Green, HOT/Black, NEUTRAL/WHITE, and HOT/Red wires as shown in the diagram below.
- 7) Tighten the terminal screws and double-check that they are securely attached.
- 8) Tighten the strain-relief bracket on the dryer or cord and check that the weight of the cable is supported by the bracket.
- 9) Completely insert the 4-prong plug into the receptacle until it is secure.
- 10) Restore power at the electrical panel and test the dryer.

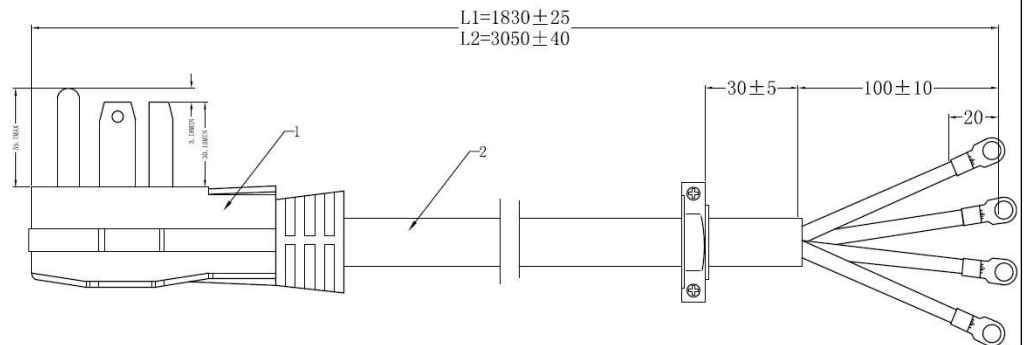
4-WIRE DRYER CONNECTION



4-PRONG TO 4-WIRE 30A DRYER APPLIANCE CORD (NEMA 14-30P TO 4-WIRE)

TECHNICAL SPECIFICATIONS

- Cord Type: SRDT 4-Conductor
- AC Plug: NEMA 14-30P Male
- Dryer Connection: 4-Wire
- Wire Gauge: 10 AWG
- Power Rating: 30A/250V/7500W max
- Warranty: Limited Lifetime



IMPORTANT NOTES:

- Do not use this cord if the outlet or wire terminals do not fit.
- Consult an electrician or the dryer maker when converting a 3-wire dryer connection to a 4-wire connection.
- Specifications are subject to change without notice.

Package Contents

- 30A Dryer Appliance Power Cord
- Instruction Sheet

Copyright and Trademarks

Cable Matters is a registered trademark or trademark of Cable Matters Inc. All rights reserved. All other trademarks are the property of their respective owners.

Limitation of Liability

In no event shall Cable Matters Inc. (including their officers, directors, employees or agents) be liable for any damages (whether direct or indirect, special, punitive, incidental, consequential, or otherwise), loss of profits, loss of business, or any pecuniary loss, arising out of, or related to the use of this product exceeding the actual price paid for the product (as allowed by state law).

Warranty Information

This product is backed by a limited lifetime warranty. The warranty covers parts and labor costs only. Cable Matters does not warrant its products from defects or damages arising from misuse, abuse, or normal wear.

Customer Support and Contact Information

Cable Matters offers lifetime technical support as an integral part of our commitment to provide industry leading solutions.

Contact us at wholesale@cablematters.com for large volume discount pricing.

email us with any questions at support@cablematters.com.