

INSTALLATION INSTRUCTIONS

OVERVIEW

The Cable Matters Porcelain Light Socket Base provides a new or replacement light fixture. Sturdy porcelain construction ensures a safe and long-lasting lighting location. Simple installation with the attached pigtail wires.

! CAUTION

- Installation by a qualified electrician is recommended
- Single lamp base use only, do not daisy-chain
- Screw terminals support up to 10 AWG wire
- Use only copper or copper-clad wire (no bare aluminum)
- Rated for indoor use in a dry location

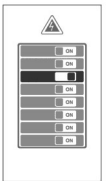
WIRING INSTRUCTIONS - READ BEFORE INSTALLING

Suggested Tools: Voltage tester, screwdriver, wire stripper, needle nose pliers, small hammer (for 3 1/4" outlet box knockouts), wire nuts (for pigtail wires)



Electric Shock Risk

- 1) Turn off the power at the electrical panel and turn off the wall switch before installing.
- 2) Use a voltage tester to verify that the power is off and that no looped circuit is connected!
- 3) Carefully remove any existing outlet and disconnect the wires.



Note: Tap gently with a screwdriver and small hammer to remove the knockout for a 3 1/4" box.

- 4) Partially screw in the mounting screws into the outlet box.
- 5) Strip back about 3/4 inch (direct wire) or 1/2 inch (pigtail wire) of the feed wire insulation, if needed.
- 6) **Direct Wire:** Coil tightly twisted strands into a hook and loop around the screws (remove pigtail wires).
Pigtail Wire: Twist the black and white feed wires to the pigtails and secure with wiring nuts.
- 7) Check that no bare strands are exposed and the insulation is clear of the screw terminals. Test by tugging on the wires (Pro Tip: Wrap the terminals with electrical tape).



2 x Screws

- 8) Carefully replace the wires into the electrical box, rotate the base over the mounting screws, and tighten.

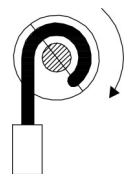
Notes: Do not overtighten the terminal or mounting screws!

Take care not to chip the glazed porcelain when installing.

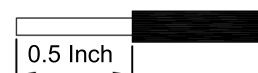
Consult an electrician if there are spare wires or a ground wire that is not terminated in the outlet box.

- 9) Install a light bulb, restore power at the electrical panel, and turn on with the wall switch.

DIRECT WIRE



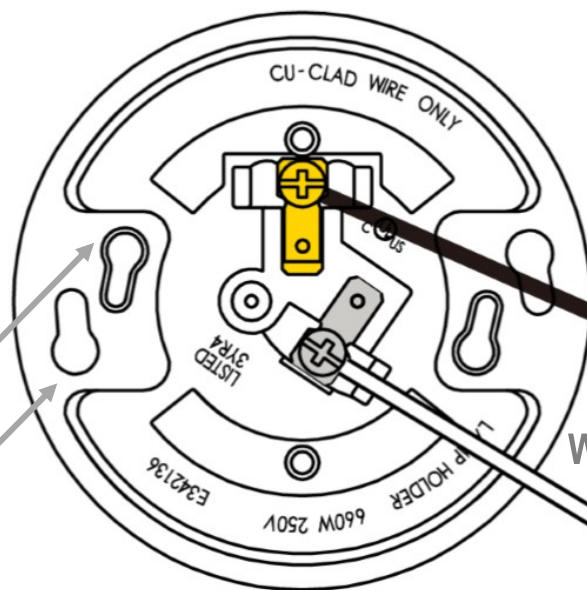
PIGTAIL WIRE



#12-14 AWG wire nuts (not included)

3 1/4" Box

4" Box



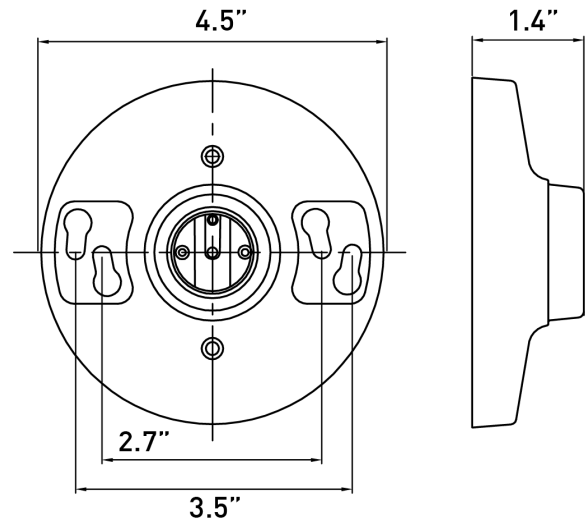
Black Wire/Hot Brass Screw

White Wire/Neutral Silver Screw

PORCELAIN LIGHT SOCKET BASE

TECHNICAL SPECIFICATIONS

- Electrical Rating: 125/250V 600W max
- Light Socket Base: Medium, keyless
- Residential Grade/Indoor Use
- Wire Access: Top wired
- Wire Compatibility: Up to #10 AWG copper or copper-clad
- Mount Compatibility: Twist-lock on 3 1/4 or 4 inch outlet box
- Compliance: UL/cUL Listed
- Dimensions: (WxD) 4.5 x 1.4 Inches
- Warranty: Limited Lifetime



IMPORTANT NOTES:

- Rated for indoor use in a dry location
- Do not daisy-chain, single lamp base only
- Copper or copper-clad wire only (no aluminum)
- Specifications are subject to change without notice

Package Contents

- 2x Porcelain Light Socket Base
- 4x 14AWG Wiring Pigtails
- 4x Mounting Screws
- 1x Instruction Sheet

Copyright and Trademarks

Cable Matters is a registered trademark or trademark of Cable Matters Inc. All rights reserved. All other trademarks are the property of their respective owners.

Limitation of Liability

In no event shall Cable Matters Inc. (including their officers, directors, employees or agents) be liable for any damages (whether direct or indirect, special, punitive, incidental, consequential, or otherwise), loss of profits, loss of data, loss of business, or any pecuniary loss, arising out of, or related to the use of this product exceeding the actual price paid for the product (as allowed by state law).

Warranty Information

This product is backed by a limited one-year warranty. The warranty covers parts and labor costs only. Cable Matters does not warrant its products from defects or damages arising from misuse, abuse, or normal wear.

Customer Support and Contact Information

Cable Matters offers lifetime technical support as an integral part of our commitment to provide industry leading solutions.

Contact us at wholesale@cablematters.com for large volume discount pricing.

Contact support@cablematters.com with any questions

www.cablematters.com