

TAMPER RESISTANT DUPLEX AC OUTLET WITH 4.2A USB CHARGING AND FACEPLATE

INSTALLATION INSTRUCTIONS

OVERVIEW

The Cable Matters Tamper Resistant Outlet provides both AC power and USB charging station in the space of a standard duplex wall outlet. This 4.2 amp receptacle charges two USB devices simultaneously with dual tamper resistant AC outlets.

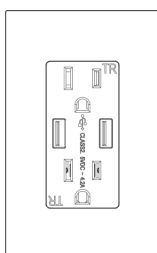
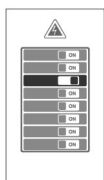
! CAUTION

- Installation by a qualified electrician is recommended
- Consult the local authority having jurisdiction for code
- 16 cu" single gang electrical box recommended
- Rated for indoor use only in a dry location
- Use only copper or copper-clad wire to connect this receptacle
- Consult an electrician for wiring a 'Middle of Run' split circuit

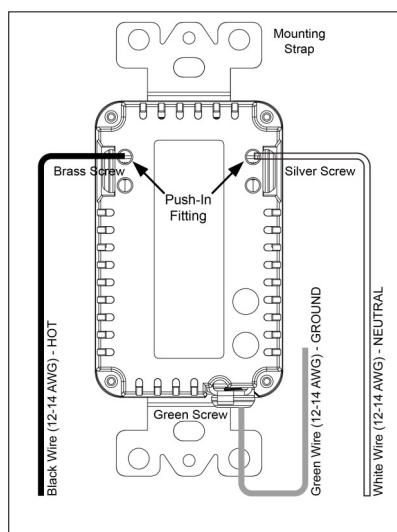
WIRING INSTRUCTIONS - READ BEFORE INSTALLING



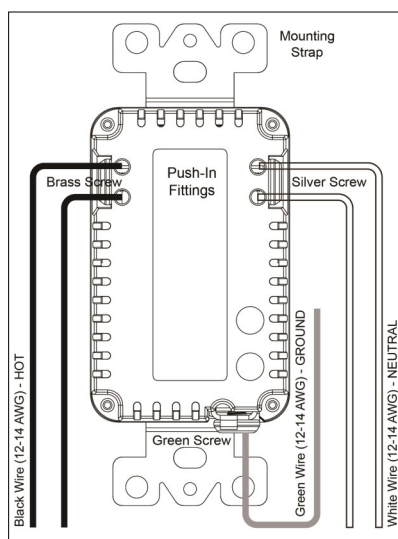
- 1) Turn off the power at the electrical panel before installing. Use a voltage tester to verify that the power is turned off.
- 2) Carefully remove any existing outlet and disconnect the wires.
- 3) Strip back about 1/2 inch of insulation from the existing wires, if necessary.
- 4) Wire the receptacle according to one of the methods shown below.
- 5) Place the wires into the electrical box and attach the mounting strap.
- 6) Screw on the faceplate with the included screws.
- 7) Restore power at the electrical panel.



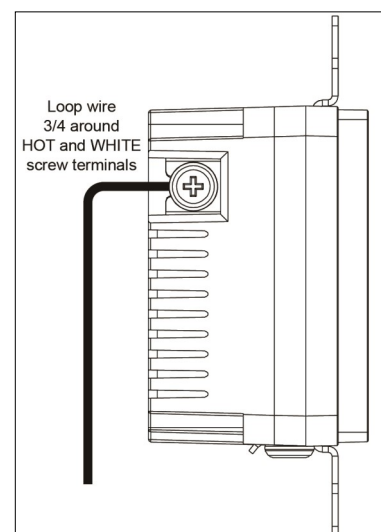
BACK WIRING (Recommended)



MIDDLE-OF-RUN WIRING



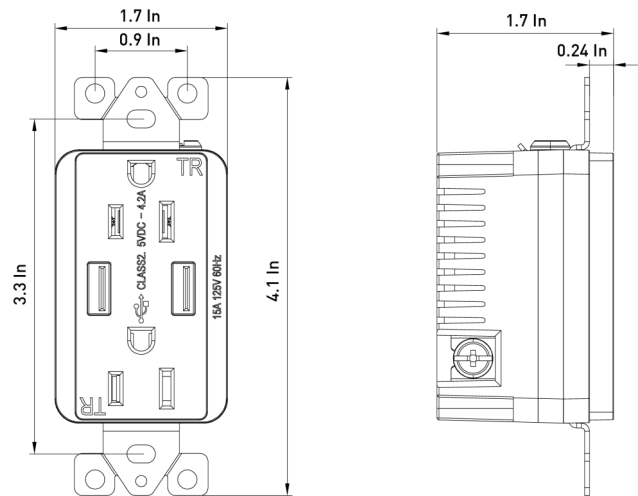
SIDE WIRING



TAMPER RESISTANT DUPLEX AC OUTLET WITH 4.2A USB CHARGING AND FACEPLATE

TECHNICAL SPECIFICATIONS

- AC Input: 125VAC 60Hz, 15A (max)
- DC Output: 5V 4.2A (total)
- AC Outlets: 2 x Grounded Female NEMA 5-15R
- USB Ports: 2 x USB-A Female
- USB Charging Compatibility: USB 2.0/3.0
- Operating Temperature: 32°F to 104°F
- Compliance: ETL, CETL Verified, RoHS
- Faceplate (H x W) 4.4 X 2.7 Inches
- Receptacle: (W x D) 1.7 x 1.7 Inches

**IMPORTANT NOTES:**

- Do not use to replace a GFCI outlet.
- Do not hang devices by a USB cable.
- Use only with Class 2 electrical connectors and cables.
- Specifications are subject to change without notice

Package Contents

- 2 x AC Outlet with USB Charging
- 2 x Screw-On Faceplate
- 4 x Mounting Screws
- 4 x Faceplate Screws
- 1 x Instruction Sheet

Copyright and Trademarks

Specifications are subject to change without notice. Cable Matters is a registered trademark or trademark of Cable Matters Inc. All rights reserved. All other trademarks are the property of their respective owners.

Limitation of Liability

In no event shall Cable Matters Inc. (including their officers, directors, employees or agents) be liable for any damages (whether direct or indirect, special, punitive, incidental, consequential, or otherwise), loss of profits, loss of business, or any pecuniary loss, arising out of, or related to the use of this product exceeding the actual price paid for the product (as allowed by state law).

Warranty Information

This product is backed by a limited one-year warranty. The warranty covers parts and labor costs only. Cable Matters does not warrant its products from defects or damages arising from misuse, abuse, or normal wear.

Customer Support and Contact Information

Cable Matters offers lifetime technical support as an integral part of our commitment to provide industry leading solutions.

Contact us at wholesale@cablematters.com for large volume discount pricing.

Email us with any questions at support@cablematters.com.